

APPLICATION

Fan designed to polluted air exhaust systems. Typical applications:

- local exhaust system,
- dusty air extract systems
- vehicle fumes extraction systems.

CONSTRUCTION

- the impeller is welded from sheet steel, painted (models 250, 280 and 315) or aluminum (models 355 and larger) with backward curved blades, dynamically balanced according to ISO 1940-1,
- the motor cover is made of aluminum,
- the housing is made of welded sheet steel,
- standard color of the fan is gray RAL7042,
- ON-OFF electrical isolation switch as standard,
- adapted to work in a vertical position,
- adapted for mounting on flat roofs, assembly on inclined roofs after using roof supports (type RS-R),
- maximum temperature of the transported medium is 80°C,
- ambient temperature range from -30°C to + 60°C.

MOTOR

- Power supply - AC 230/400V 50Hz or 400 /690V 50Hz (depending on fan model and motor power),
- degree of protection IP55,
- insulation class F,
- for frequency control.

SPECIAL EXECUTION

- color other than standard,
- painting in higher category of corrosivity,
- housing and impeller made of galvanized steel sheet,
- motor with voltage and frequency of power different than standard.



WWW



DTR



CE

TECHNICAL CHARACTERISTICS

Type	airflow max	pressure max	motor power	speed	maximum absorbed current	voltage	sound pressure level*	sound pressure level with silencer*	weight	article number
	[m ³ /h]	[Pa]	[kW]	[r.p.m.]	[A]	[V]	[dB(A)]	[dB(A)]	[kg]	
RBM-2-250-055T	1 900	860	0,55	2 870	2,15 / 1,25	230/400	67	60	30	433552405
RBM-2-280-075T	2 600	1 100	0,75	2 850	2,85 / 1,65	230/400	69	62	36	433552410
RBM-2-315-150T	3 800	1 442	1,5	2 880	5,25 / 3	230/400	81	74	49.8	433552415
RBM-2-355-220T	6 260	1 890	2,2	2 895	7,9 / 4,6	230/400	84	82	53	433552420
RBM-2-375-300T	8000	1 920	3	2 880	9,3 / 5,3	230/400	87	78	80	433552425
RBM-2-400-400T	8 050	2 340	4	2 895	7,3 / 4,2	400/690	89	80	86	433552430
RBM-2-425-550T	8 850	2 500	5,5	2 930	9,8 / 5,7	400/690	84	77	97	433552435
RBM-2-450-750T	12 450	3 080	7,5	2 930	14 / 8,1	400/690	92	85	108	433552440

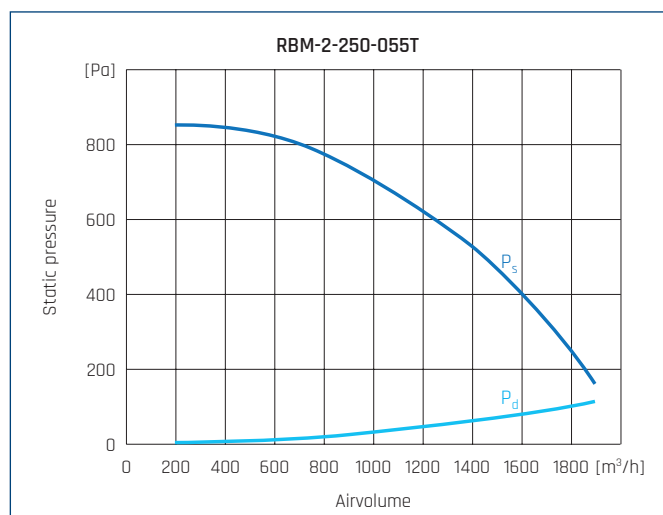
* sound pressure measured at a distance of 1,5m from the fan at $q=2/3 \cdot q_{max}$

PERFORMANCE CURVES

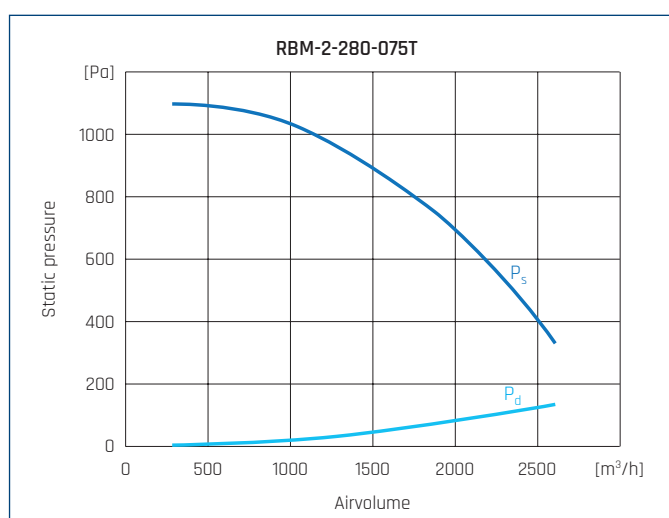
- p_t - total pressure
- p_s - static pressure
- p_d - dynamic pressure

- MC Measurement category
- EC Efficiency category
- VSD Speed control: supplied with the fan
- SR Specific ratio
- η [%] Efficiency
- N Efficiency grade
- [kW] Absorbed power
- [m³/h] Airflow
- [Pa] Static pressure
- [RPM] Speed

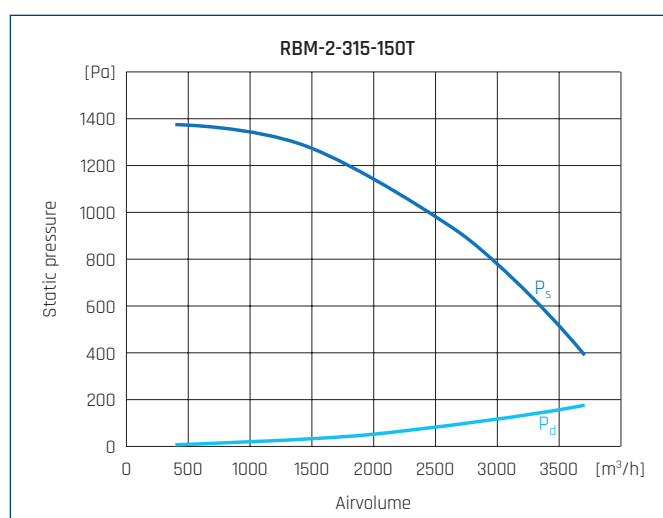
Based on Commission Regulation (EU) No 327/2011 of 30 March 2011.



MC	EC	VSD	SR	η [%]	N	[kW]	[m ³ /h]	[Pa]	[RPM]
C	Static	No	1	52,1	66,7	0,40	1300	583	2870

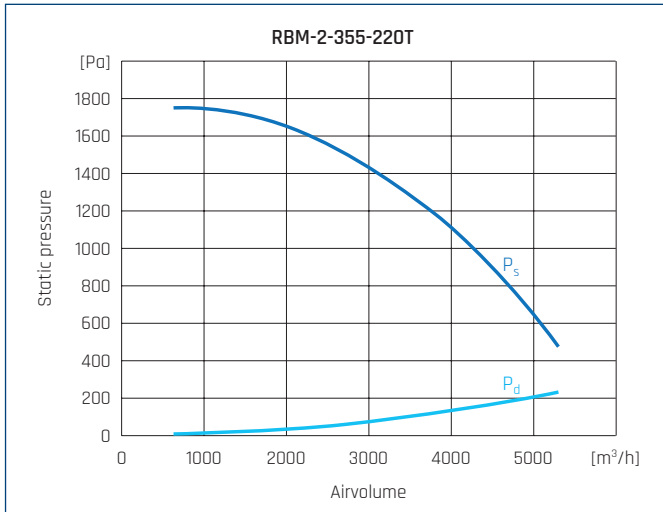


MC	EC	VSD	SR	η [%]	N	[kW]	[m ³ /h]	[Pa]	[RPM]
C	Static	No	1	54,4	66,4	0,72	1878	749	2850

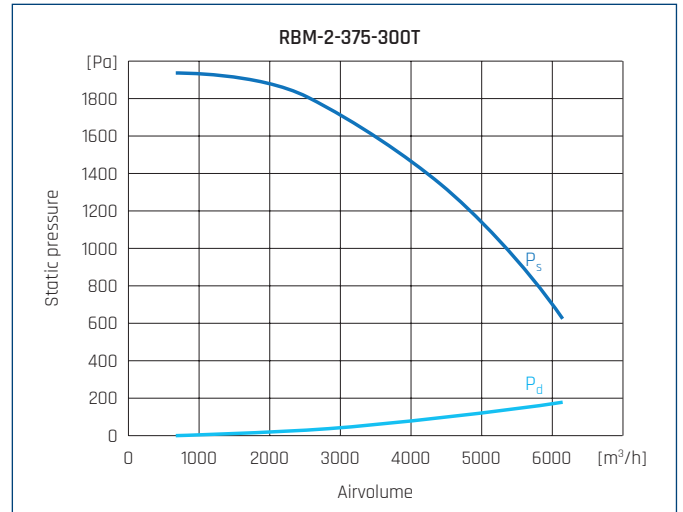


MC	EC	VSD	SR	η [%]	N	[kW]	[m ³ /h]	[Pa]	[RPM]
C	Static	No	1	56,0	65,6	1,22	2542	967	2880

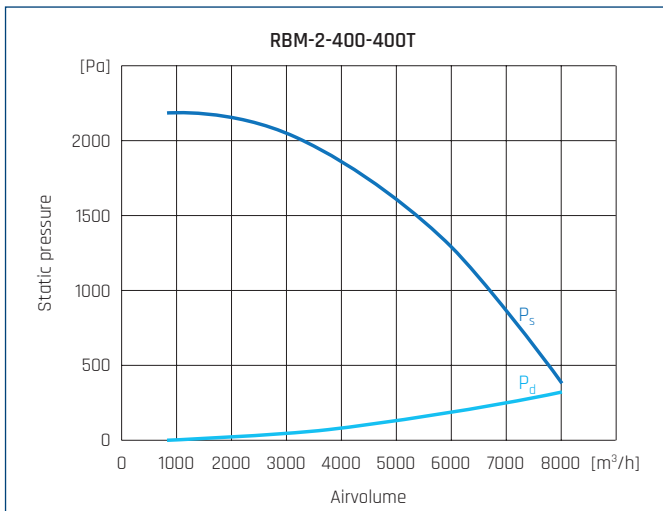
PERFORMANCE CURVES



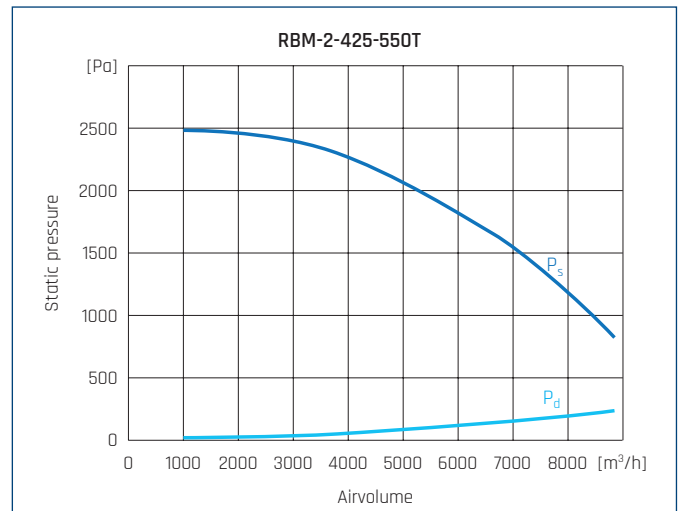
MC	EC	VSD	SR	η [%]	N	[kW]	[m³/h]	[Pa]	[RPM]
C	Static	No	1	56,3	63,2	2,20	3776	1181	2895



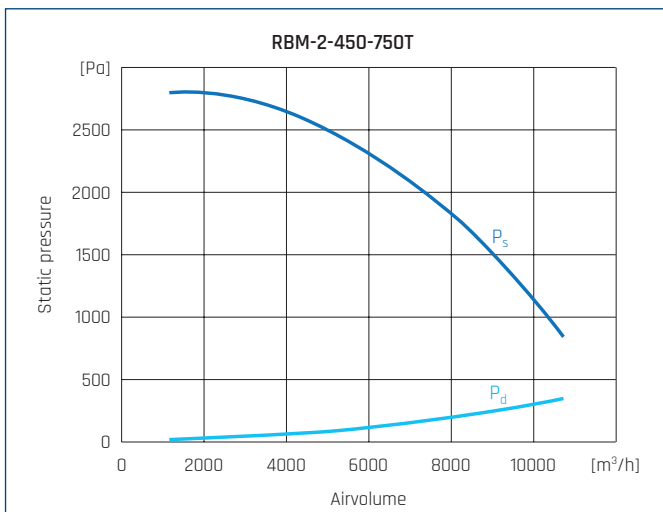
MC	EC	VSD	SR	η [%]	N	[kW]	[m³/h]	[Pa]	[RPM]
C	Static	No	1	62,6	69,7	2,64	4426	1344	2880



MC	EC	VSD	SR	η [%]	N	[kW]	[m³/h]	[Pa]	[RPM]
C	Static	No	1	58,1	62,5	3,84	5371	1496	2895

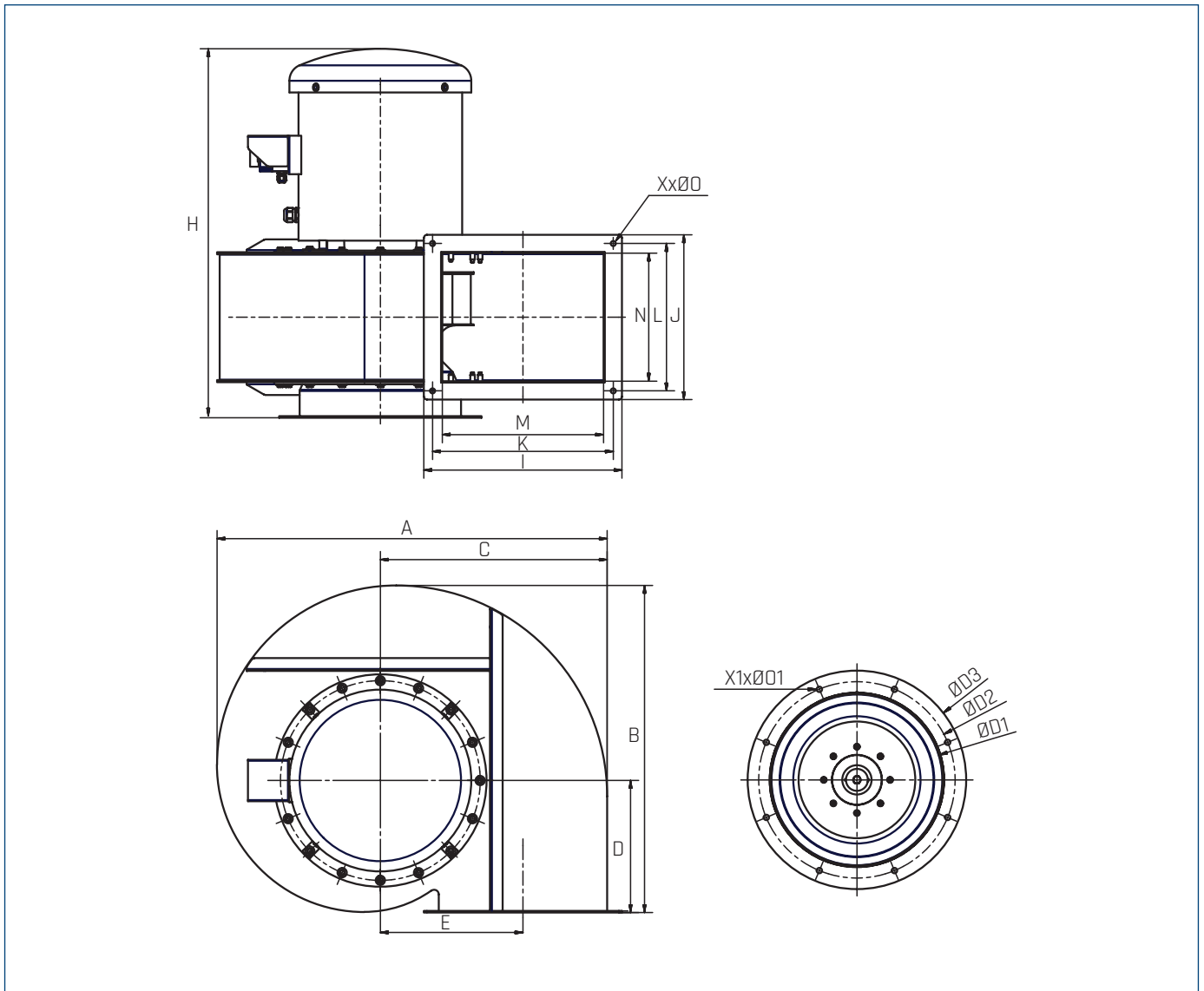


MC	EC	VSD	SR	η [%]	N	[kW]	[m³/h]	[Pa]	[RPM]
C	Static	No	1	65,3	68,8	4,64	6353	1717	2930



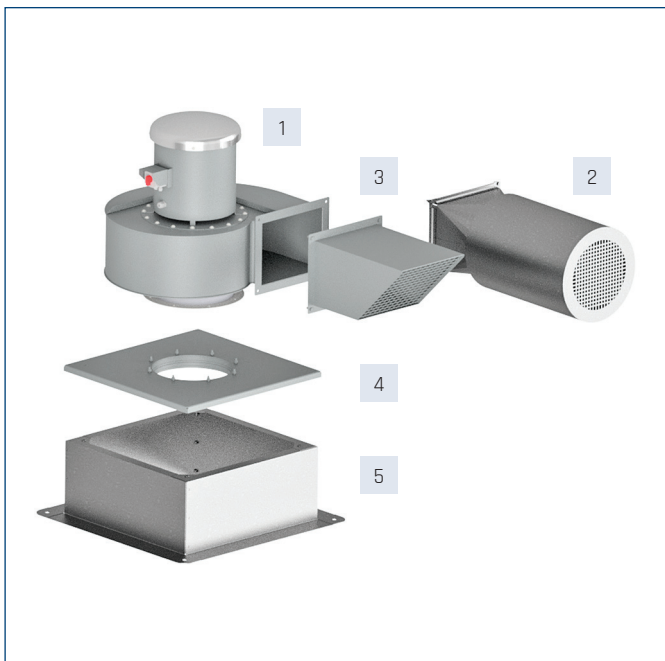
MC	EC	VSD	SR	η [%]	N	[kW]	[m³/h]	[Pa]	[RPM]
C	Static	No	1	66,0	68,2	6,21	7711	1913	2930

DIMENSIONS [mm]



Type	A	B	C	D	E	H	I	J	K	L	M	N	XxØØ	X1xØØ1	ØØ1	ØØ2	ØØ3
RBM-2-250-055T	572	455	313	186	194	546	297	249	263	215	225	173	4x10	4x10	220	254	283
RBM-2-280-075T	610	516	351	213	219	570	322	272	288	238	250	196	4x10	4x10	250	280	310
RBM-2-315-150T	674	569	397	236	250	685	352	299	318	265	280	223	4x10	4x10	280	320	360
RBM-2-355-220T	762	639	443	258	279	722	387	322	353	288	315	250	4x10	8x10	310	355	395
RBM-2-375-300T	854	724	508	298	324	771	427	354	393	320	355	276	4x10	8x10	350	395	435
RBM-2-400-400T	854	724	508	298	324	771	427	354	393	320	355	276	4x10	8x10	350	395	435
RBM-2-425-550T	962	818	574	352	367	859	472	389	438	355	400	311	4x10	8x12	396	450	500
RBM-2-450-750T	962	818	574	352	367	859	472	389	438	355	400	311	4x10	8x12	396	450	500

ACCESSORY ASSEMBLY

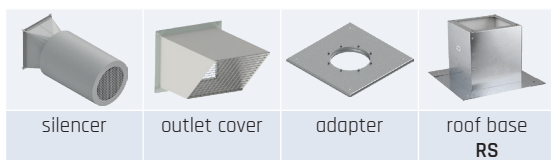


1	2	3
Type	outlet silencer	outlet cover
RBM-2-250-055T	SILENCER RBM-250	OUTLET COVER RBM-250
RBM-2-280-075T	SILENCER RBM-280	OUTLET COVER RBM-280
RBM-2-315-150T	SILENCER RBM-315	OUTLET COVER RBM-315
RBM-2-355-220T	SILENCER RBM-355	OUTLET COVER RBM-355
RBM-2-375-300T	SILENCER RBM-400	OUTLET COVER RBM-400
RBM-2-400-400T	SILENCER RBM-400	OUTLET COVER RBM-400
RBM-2-425-550T	SILENCER RBM-450	OUTLET COVER RBM-450
RBM-2-450-750T	SILENCER RBM-450	OUTLET COVER RBM-450

1	4	5
Type	base adapter	roof base RS
RBM-2-250-055T	ADAPTER RBM-250/RS 435	RS-435
RBM-2-280-075T	ADAPTER RBM-280/RS 560	RS-560
RBM-2-315-150T	ADAPTER RBM-315/RS 630	RS-630
RBM-2-355-220T	ADAPTER RBM-355/RS 710	RS-710
RBM-2-375-300T	ADAPTER RBM-400/RS 710	RS-710
RBM-2-400-400T	ADAPTER RBM-400/RS 710	RS-710
RBM-2-425-550T	ADAPTER RBM-450/RS 905	RS-905
RBM-2-450-750T	ADAPTER RBM-450/RS 905	RS-905

Article numbers

SILENCER RBM-250	25511090	OUTLET COVER RBM-250	25511080	ADAPTER RBM-250/RS 435	25511070	ROOF BASE RS-435	43526020
SILENCER RBM-280	25511091	OUTLET COVER RBM-280	25511081	ADAPTER RBM-280/RS 560	25511071	ROOF BASE RS-560	43526030
SILENCER RBM-315	25511092	OUTLET COVER RBM-315	25511082	ADAPTER RBM-315/RS 630	25511072	ROOF BASE RS-630	43526040
SILENCER RBM-355	25511093	OUTLET COVER RBM-355	25511083	ADAPTER RBM-355/RS 710	25511073	ROOF BASE RS-710	43526050
SILENCER RBM-400	25511095	OUTLET COVER RBM-400	25511085	ADAPTER RBM-400/RS 710	25511074	ROOF BASE RS-710	43526050
SILENCER RBM-400	25511095	OUTLET COVER RBM-400	25511085	ADAPTER RBM-400/RS 710	25511074	ROOF BASE RS-710	43526050
SILENCER RBM-450	25511097	OUTLET COVER RBM-450	25511087	ADAPTER RBM-450/RS 905	25511075	ROOF BASE RS-905	43526060
SILENCER RBM-450	25511097	OUTLET COVER RBM-450	25511087	ADAPTER RBM-450/RS 905	25511075	ROOF BASE RS-905	43526060



ELECTRICAL ACCESSORIES

Type	inverter	article number
RBM-2-250-055T	L 0.75kW	40016312
RBM-2-280-075T	L 0.75kW	40016312
RBM-2-315-150T	L 1.5kW	40016322
RBM-2-355-220T	L 2.2kW	40016332
RBM-2-375-300T	L 4.0kW	40016352
RBM-2-400-400T	L 4.0kW	40016352
RBM-2-425-550T	L 5.5kW	40016362
RBM-2-450-750T	L 7.5kW	40016372

